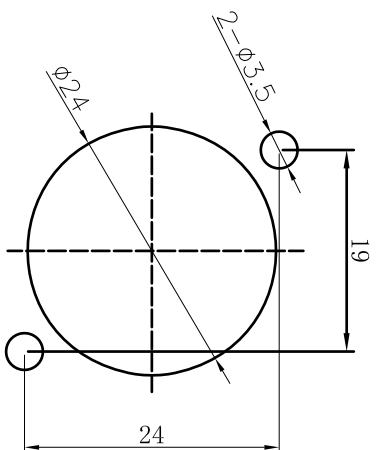
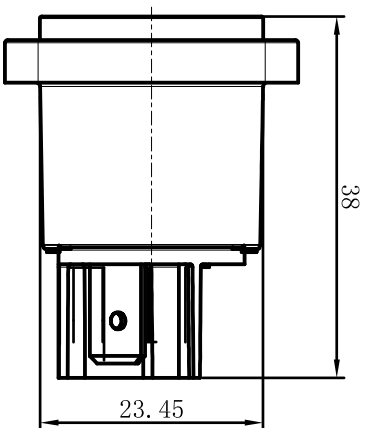
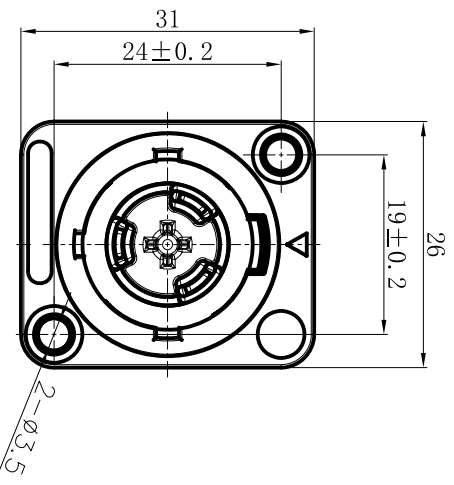


REV. NO.	REVISION NOTE	REVISER	DATE
V0	NEW DRAWING		2023/06/01

建议开孔尺寸:  
Recommended opening



尺寸图  
Size chart



CP3MPW-02

<a href="http://www.ciscomn.com">http://www.ciscomn.com</a>		深圳市新世联电子有限公司 TEL.: +86 (755) 29912370 FAX: 29912372	
Tolerance Unless Otherwise Specified		CP3MPW-02	
.X ~ ±0.30	⊕	Units	Scale
.XX ~ ±0.25	∅	mm	1:1
.XXX ~ ±0.20		Date	Reviewed By
Angle ~ ± 3°		2023/06/01	LiuYang
Drawing By LiuYang		Date	2023/06/01
Title CP3MPW-02		REV. NO.	V0
Material No.		Approval By	Date