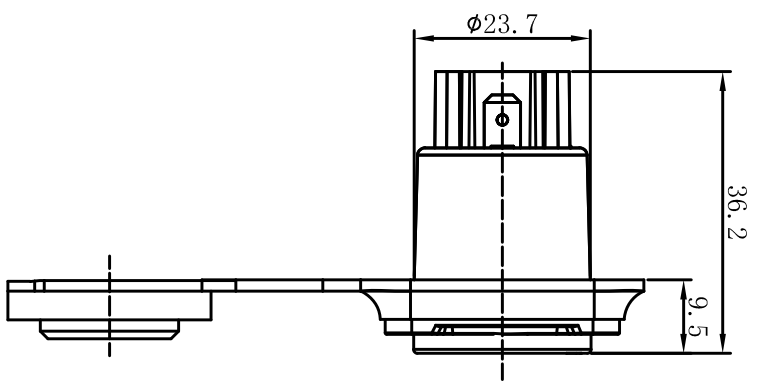
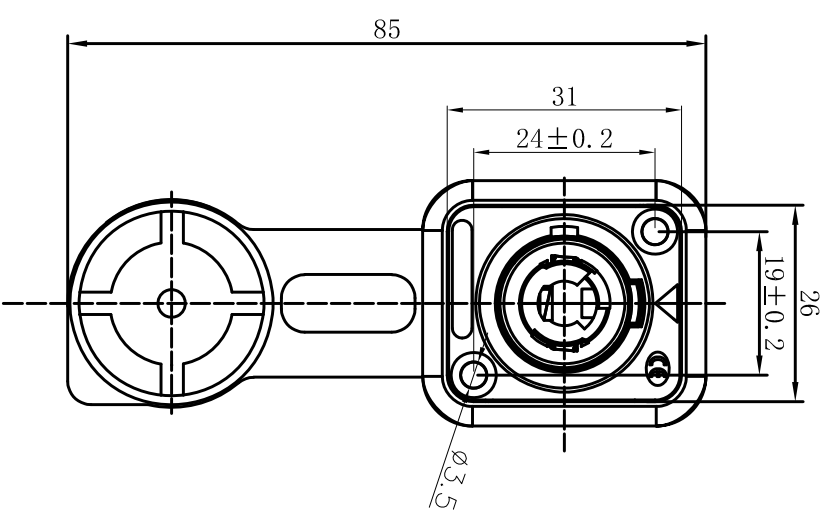
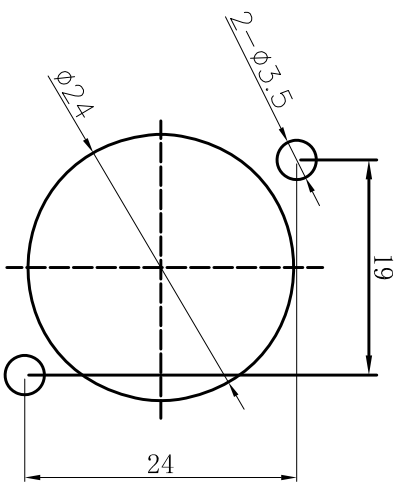


REV. NO.	REVISION NOTE	REVISER	DATE
V0	NEW DRAWING		2023/06/01

建议开孔尺寸:
Recommended opening

尺寸图
Size chart



CP3MPW-01

Http://www.cisconn.com		深圳市新世联电子有限公司 TEL: +86 (755) 29912370 FAX: 29912372	
Tolerance Unless Otherwise Specified		Title	
.X ~ ±0.30	⊕	Units	Scale
.XX ~ ±0.25	∅	mm	1:1
.XXX ~ ±0.20		Date	REV NO.
Angle ~ ± 3°		Drawing By LiuYang	V0
		Date 2023/06/01	Reviewed By
			Date
			Approval By
			Date
			Material No.
			CP3MPW-01