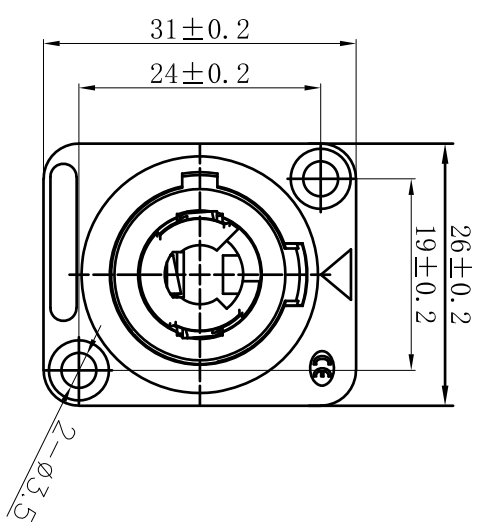
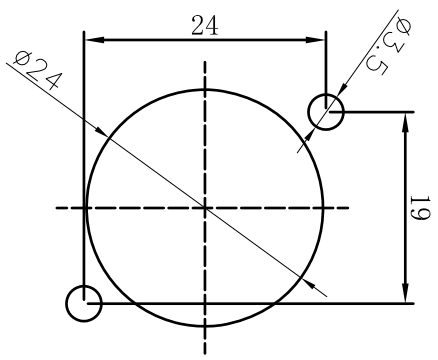


REV. NO.	REVISION NOTE	REVISER	DATE
V0	NEW DRAWING		2023/06/01

建议开孔尺寸：
Recommended opening

尺寸图
Size chart



CP3MPA-01

Http://www.ciscomn.com		深圳市新世联电子有限公司 TEL.: +86 (755) 29912370 FAX: 29912372	
Tolerance Unless Otherwise Specified		Title	
.X ~ ±0.30		Units mm	Scale 1:1
.XX ~ ±0.25			
.XXX ~ ±0.20	Drawing By LiuYang	Date 2023/06/01	Reviewed By Date
Angle ~ ± 3°			Approval By Date
		CP3MPA-01	
		REV NO. V0	Material No.