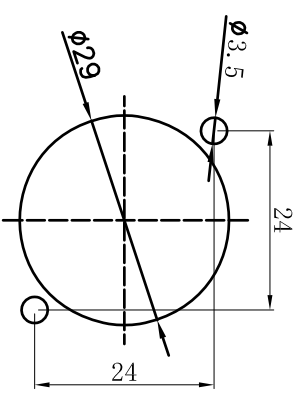
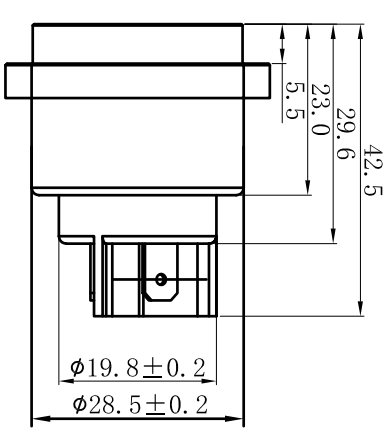
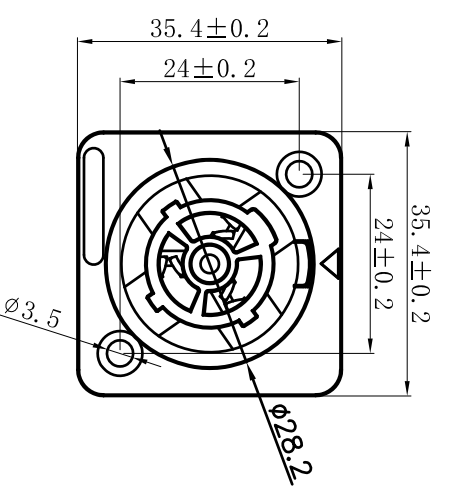


REV. NO.	REVISION NOTE	REVISER	DATE
V0	NEW DRAWING		2023/06/01

建议开孔尺寸:
Recommended opening



尺寸图
Size chart



CP3FPW-02

http://www.ciscomn.com		深圳市新世联电子有限公司 TEL.: +86 (755) 29912370 FAX: 29912372	
Tolerance Unless Otherwise Specified		Title	
.X ~ ±0.30	⌀	Units	Scale
.XX ~ ±0.25	∠	mm	1:1
.XXX ~ ±0.20		Date	REV. NO.
Angle ~ ± 3°		Drawing By LiuYang	V0
		Date 2023/06/01	Reviewed By
			Date
			Approval By
			Date
ciscomn		CP3FPW-02	
		Material No.	