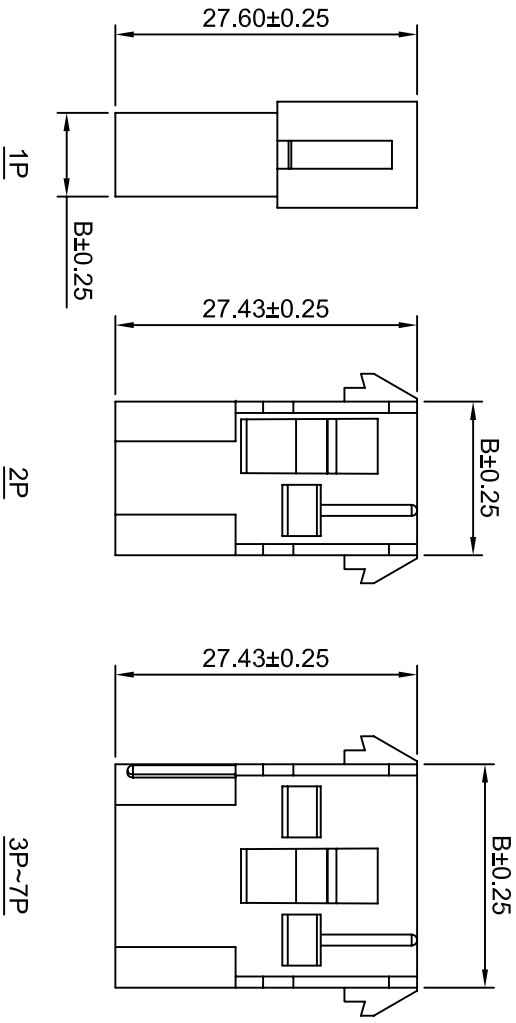
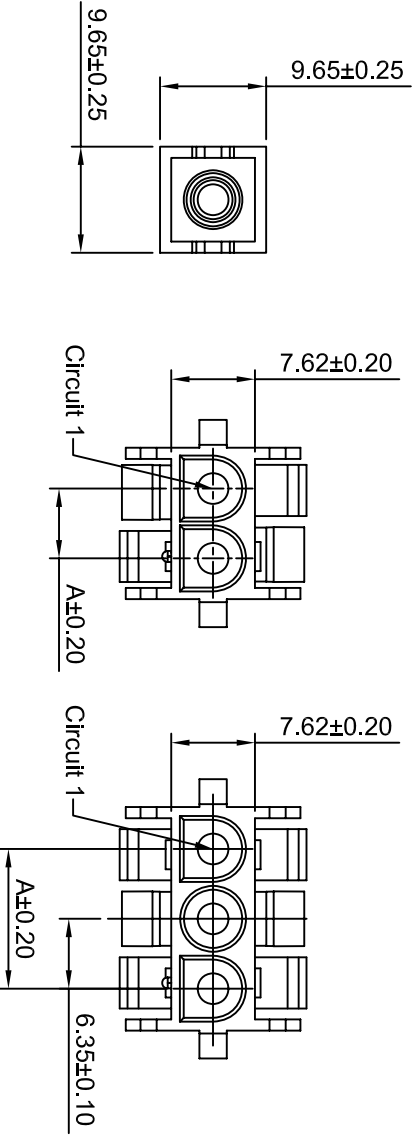



REV. NO.	REVISION NOTE	REVISER	DATE
V0	NEW DRAWING		2023/06/01



SPECIFICATIONS:
 Current Rating: 19A AC,DC(Max)
 Voltage Rating: 600V AC,DC
 Temperature Range: -40°C ~ +105°C
 Contact Resistance: 3.5mΩ Max
 Insulation Resistance: 1000MΩ Min
 Withstanding Voltage: 5000V AC/minute
 Material: Nylon 66, UL94V-2(Natural)

Ordering Information & Dimensions

Circuits	Dimensions(mm)		Circuits	Dimensions(mm)	
	A	B		A	B
1P	---	7.62	5P	25.40	33.02
2P	6.35	13.97	6P	31.75	39.37
3P	12.70	20.32	7P	38.10	45.72
4P	19.05	26.67			


 深圳市新世联电子有限公司
 TEL.: +86 (755) 29912370 FAX: 29912372
[Http://www.ciscom.com](http://www.ciscom.com)

Title		Units		Scale		REV NO.		Material No.	
白色胶壳 6.35		mm		1:1		V0			
Drawing By		Date		Reviewed By		Date		Approval By	
LiuYang		2023/06/01							
Tolerance Unless Otherwise Specified									
.X ~ ±0.30									
.XX ~ ±0.25									
.XXX ~ ±0.20									
Angle ~ ± 3°									