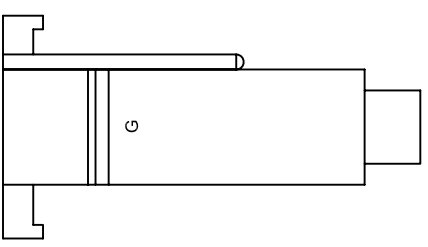
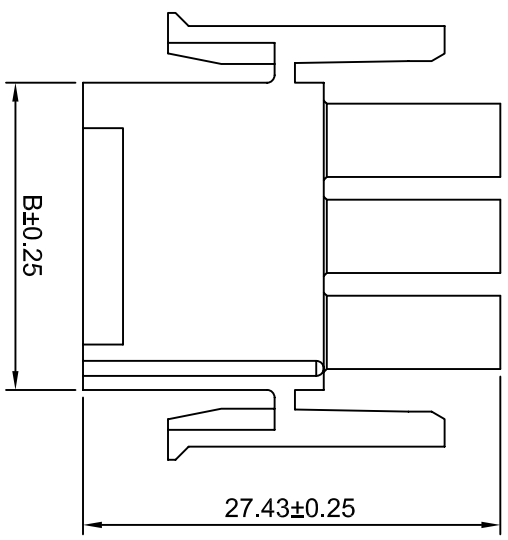
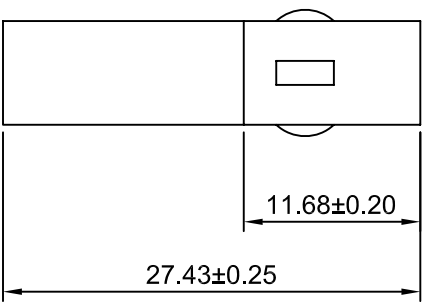
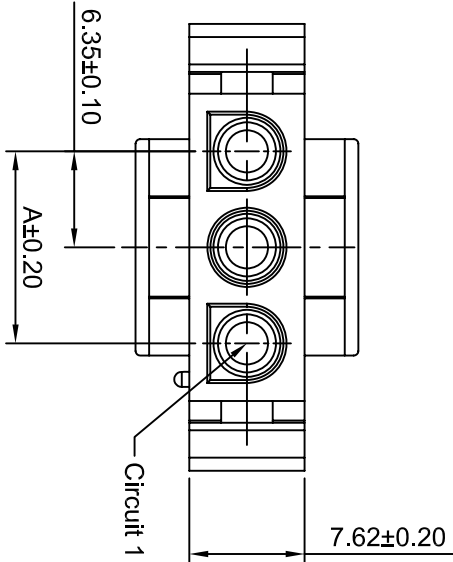
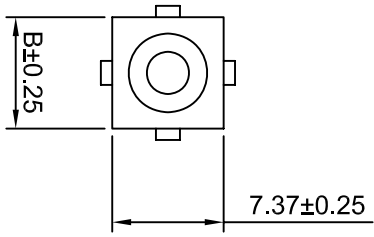


REV. NO.	REVISION NOTE	REVISER	DATE
V0	NEW DRAWING		2023/06/01




**SPECIFICATIONS:**  
 Current Rating: 19A AC,DC(Max)  
 Voltage Rating: 600V AC,DC  
 Temperature Range: -40°C ~ +105°C  
 Contact Resistance: 3.5mΩ Max  
 Insulation Resistance: 1000MΩ Min  
 Withstanding Voltage: 5000V AC/minute  
 Material: Nylon 66, UL94V-2(Natural)

**Ordering Information & Dimensions**

Circuits	Dimensions(mm)		Circuits	Dimensions(mm)	
	A	B		A	B
1P	--	7.37	6P	31.75	39.37
2P	6.35	13.97	7P	38.10	45.72
3P	12.70	20.32	8P	44.45	52.07
4P	19.05	26.67	9P	50.80	58.42
5P	25.40	33.02	10P	57.15	64.77

1P

2P~10P


 深圳市新世联电子有限公司  
 TEL: +86 (755) 29912370 FAX: 29912372  
[Http://www.ciscomm.com](http://www.ciscomm.com)

Title		白色胶壳 6.35	
Units	Scale	REV NO.	Material No.
mm	1:1	V0	
Drawing By	Date	Reviewed By	Date
LiuYang	2023/06/01		
Tolerance Unless Otherwise Specified		Approval By	
.X ~ ±0.30			
.XX ~ ±0.25			
.XXX ~ ±0.20			
Angle ~ ± 3°			

4

3

2

1