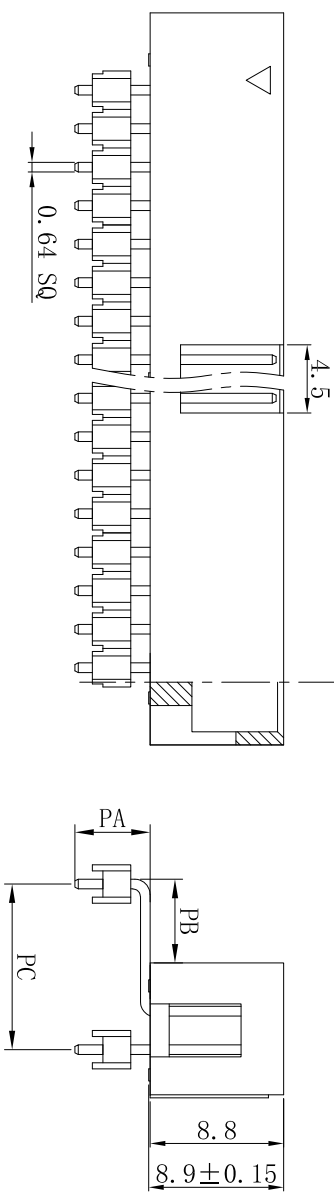
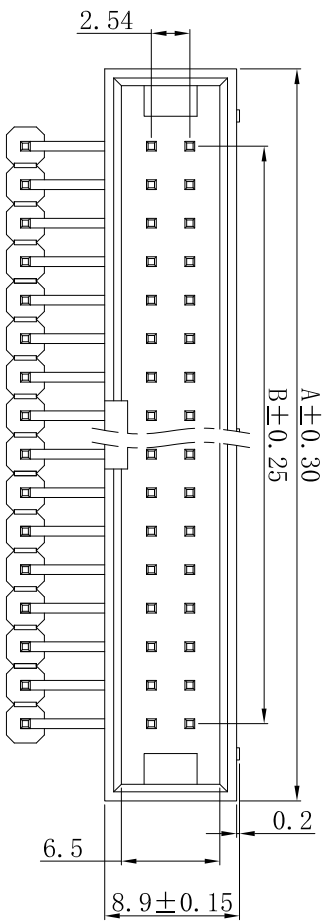


REV. NO.	REVISION NOTE	REVISER	DATE
V0	NEW DRAWING		2023/05/12

客户编码	XX-XXX
------	--------

**Electrical Data:**  
 Current rating: 3Amps  
 Dielectric Withstanding Voltage: 500VAC  
 for one minute  
 Contact Resistance: < 20 mΩ  
 Insulation Resistance: > 1000 MΩ  
 Operating Temperature: -40°C ~ +105°C

**Construction:**  
 Insulator: Black Glass Filled Polyester  
 Flammability Rating: UL 94V-0  
 Contacts: Phosphor Bronze of copper alloy  
 Contacts plating: Selective gold on surface contact area



Pin	Dimensions		Pin	Dimensions	
	A	B		A	B

Standard: PA6T	A	B	Pin	A	B
2x1P	--	--	2x21P	60.96	50.80
2x2P	12.7	2.54	2x22P	63.50	53.34
2x3P	15.24	5.08	2x23P	66.04	55.88
2x4P	17.78	7.62	2x24P	68.58	58.42
2x5P	20.32	10.16	2x25P	71.12	60.96
2x6P	22.86	12.70	2x26P	73.66	63.50
2x7P	25.40	15.24	2x27P	76.20	66.04
2x8P	27.94	17.78	2x28P	78.74	68.58
2x9P	30.48	20.32	2x29P	81.28	71.12
2x10P	33.02	22.86	2x30P	83.82	73.66
2x11P	35.56	25.40	2x31P	86.36	76.20
2x12P	38.10	27.94	2x32P	88.90	78.74
2x13P	40.64	30.48	2x33P	91.44	81.28
2x14P	43.18	33.02	2x34P	93.98	83.82
2x15P	45.72	35.56	2x35P	96.52	86.36
2x16P	48.26	38.10	2x36P	99.06	88.90
2x17P	50.80	40.64	2x37P	101.6	91.44
2x18P	53.34	43.18	2x38P	104.14	93.98
2x19P	55.88	45.72	2x39P	106.68	96.52
2x20P	58.42	48.26	2x40P	109.22	99.06

**ciscom**  
 深圳市新世联电子有限公司  
 Http://www.ciscom.com  
 TEL: +86 (755) 29912370 FAX: 29912372

Tolerance Unless Otherwise Specified		Title		2.54mm间距	
.X ~ ±0.30	⊕	Units	Scale	REV NO.	Material No.
.XX ~ ±0.25	⊖	mm	1:1	V0	XXXX-XXXX-XX-XX
.XXX ~ ±0.20	∠	Date	Reviewed By	Date	Approval By
Angle ~ ± 3°		2023/05/12	LiuYang		