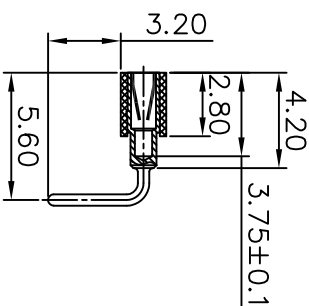
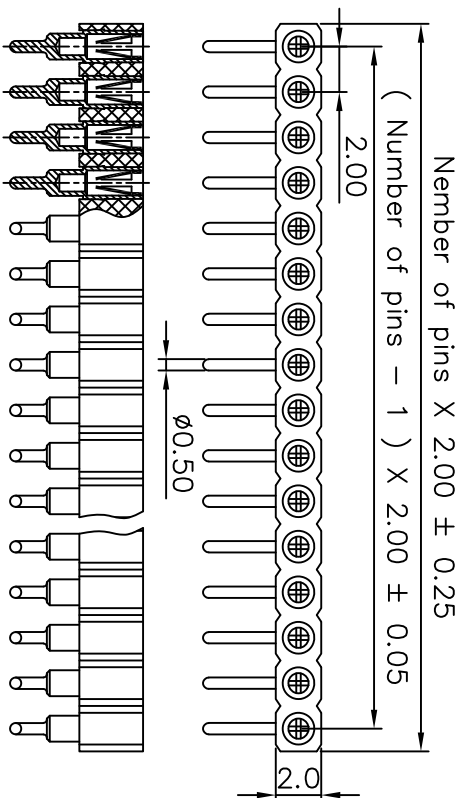
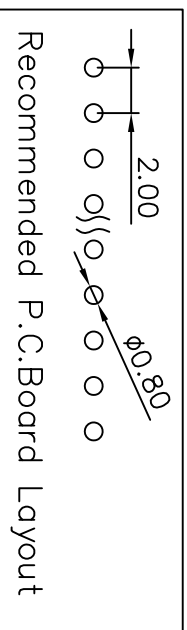


REV. NO.	REVISION NOTE	REVISER	DATE
V0	NEW DRAWING		2023/02/22

**Technical Specs:**

Insulator: Black glass filled polyester PPS-GF30-FR  
 Flammability: UL 94V-O  
 Sleeve: Brass CuZn36Pb3 (C36000)  
 Contact clip (4 finger): Beryllium copper (C17200)  
 Mating pins: Outside Diameter 0.43 to 0.56 mm  
 Forces: (polished steel gauge 0.51 mm)  
 Insertion: 2 N typ.  
 Withdrawal: 1 N typ.  
 Mechanical life: min 500 cycles  
 Rated current: 3 A  
 Contact resistance: max 20 Milliohms  
 Dielectric strength: min 1000 V RMS



<a href="http://www.ciscomm.com">Http://www.ciscomm.com</a>				深圳市新世联电子有限公司 TEL: +86 (755) 29912370 FAX: 29912372	
Tolerance Unless Otherwise Specified		Title		2.0MM圆PIN排母 RA	
.X ~ ±0.30		Units	Scale	REV NO.	Material No.
.XX ~ ±0.25		mm	2:1	V0	
.XXX ~ ±0.20		Date	Reviewed By	Date	Approval By
Angle ~ ± 3°		2023/02/22			